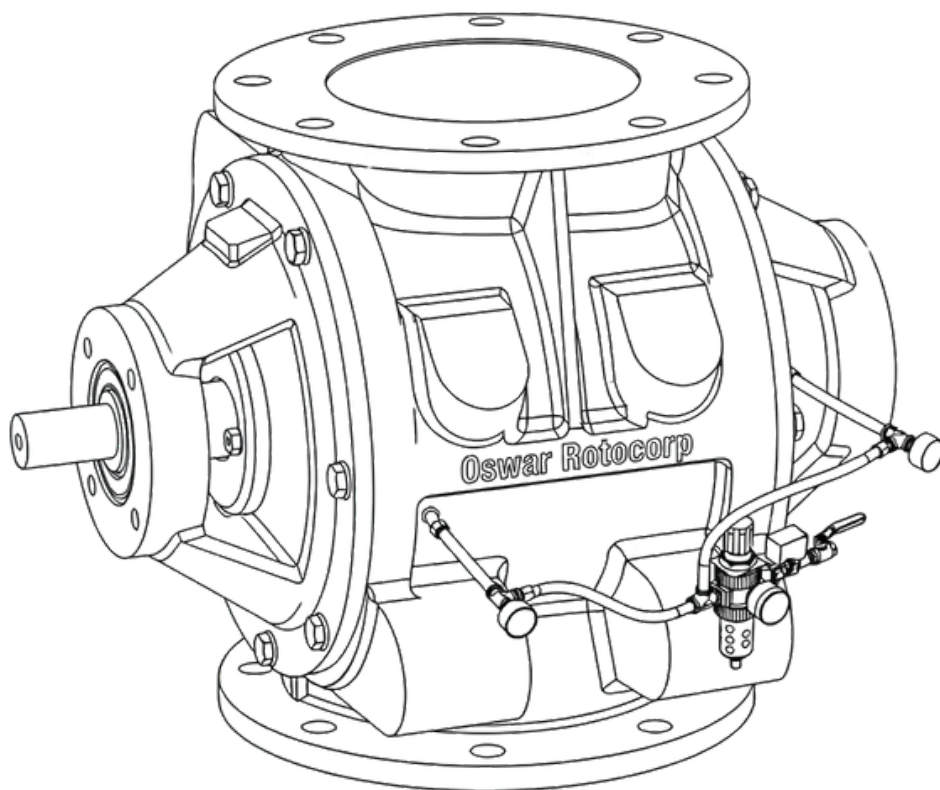



# ROTARY VALVE

## PRECISION HYGIENIC SERIES



**OSWAR**  
rotocorp



The Rotary Valve X-PG Precision Hygienic Series is engineered for industries requiring the highest standards of cleanliness, accuracy, and product integrity. Designed for regulated environments such as food processing, pharmaceuticals, nutraceuticals, and specialty chemicals, the X-PG platform ensures contamination-controlled material handling with precision volumetric performance.

Constructed from high-grade stainless steel with superior internal surface finishes, the X-PG series minimizes residue accumulation and supports efficient cleaning procedures. Its precision rotor geometry and advanced sealing system maintain consistent discharge accuracy while safeguarding hygienic compliance.

## KEY ADVANTAGES

HIGH-GRADE  
STAINLESS STEEL  
CONSTRUCTION

SUPERIOR  
SURFACE FINISH  
FOR EASY  
CLEANING

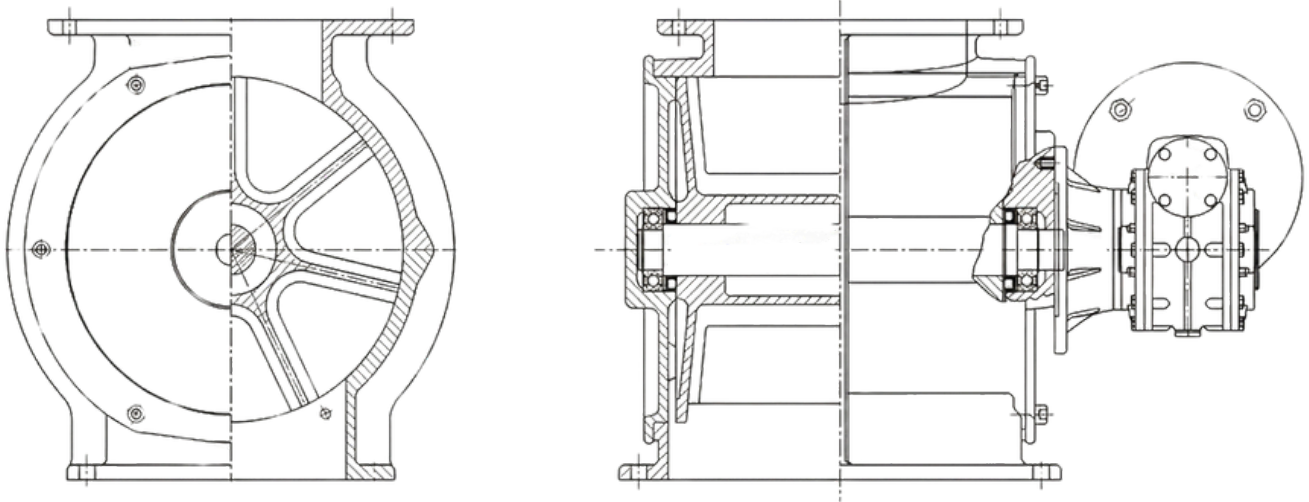
ACCURATE &  
CONSISTENT  
VOLUMETRIC  
CONTROL

CONTAMINATION-  
RESISTANT  
DESIGN

# ENGINEERED FOR ACCURACY, CLEANLINESS & CONTROL

The Rotary Valve X-PG Series is manufactured using precision CNC-machined stainless steel housings with enhanced dimensional tolerances to ensure superior rotor-to-housing alignment and stable material flow.

Polished internal surfaces reduce particle adhesion and facilitate thorough washdown or clean-in-place (CIP) procedures. The rotor design ensures gentle material handling, minimizing product degradation while maintaining volumetric consistency.



## ENGINEERING FEATURES

- Precision CNC-machined stainless steel housing
- High-finish polished internal surfaces Hygienic
- rotor configuration for gentle discharge Advanced
- contamination-resistant sealing system Tight
- dimensional control for volumetric accuracy

# PRECISION APPLICATIONS IN CONTROLLED ENVIRONMENTS

## Typical Applications:

- **Pharmaceutical Powder Feeding**
- **Nutraceutical & Supplement Processing**
- **Food Powder & Flour Handling**
- **Dairy & Protein Powder Systems**
- **Specialty Chemical Feeding**

## Industries Served:

- **Pharmaceutical Manufacturing**
- **Food & Beverage Processing**
- **Nutraceutical Production**
- **Specialty Chemical Industries**
- **Agro & Feed Processing**



# OSWAR

## rotocorp

### **Corporate Office**

Jaipur, Rajasthan India  
Nagpur, Maharashtra India

### **Sales Inquiries**

[info@oswarrotocorp.com](mailto:info@oswarrotocorp.com)

### **Helpline**

[+44 7917 128505](tel:+447917128505) | [+91 77422 36474](tel:+917742236474)

**Copyright** © 2026 OSWAR ROTOCORP. All Rights Reserved. OSWAR® is a registered trademark of **OSWAR ROTOCORP**. This brochure makes no offers, representations or warranties (express or implied), and information and data contained in this brochure are for general reference only and may change at any time.